

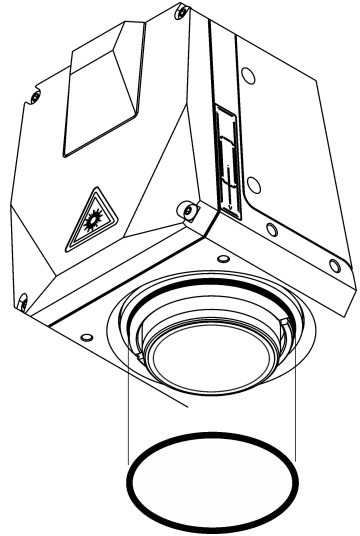


M39 F-THETA PROTECTIVE CAP

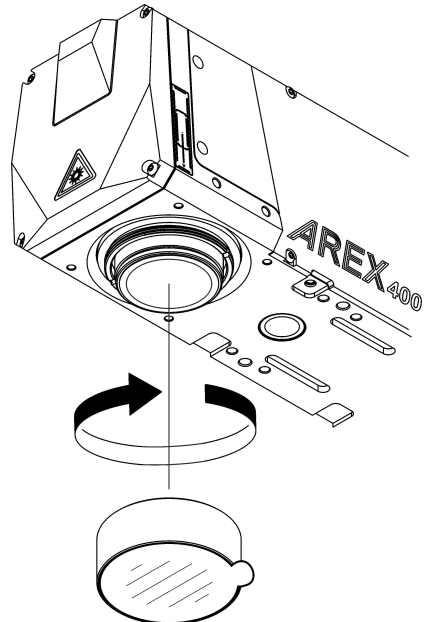
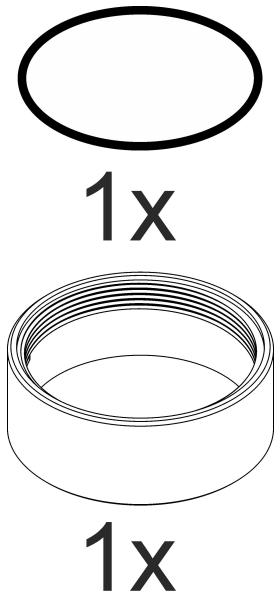
INSTRUCTION MANUAL

INSTALLATION

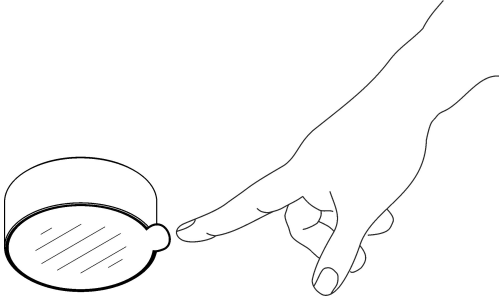
Insert the o-ring into the seat of the M39 F-Theta scan lens adapter.



Screw the protective cap into the thread of the M39 F-Theta scan lens adapter.



REMOVE THE PROTECTIVE FILM



WARNING!

Marking without removing the protection film could result in damage to the protective glass and/or laser marker
